

**AQUABRASS**

**Aquasteam N2762**  
digital in-shower control and steamhead digital in-shower control  
panneau digital

## **Installation Guide**

---

### ***Guide d'installation***



When installing and using this electrical equipment, basic safety precautions should always be followed, including the following:

## IMPORTANT SAFETY INSTRUCTIONS

### 1. READ AND FOLLOW ALL INSTRUCTIONS

2. **⚠️ WARNING** Do not permit children under the age of 16 to use this steambath.
3. **⚠️ WARNING** Steam is hot and can cause injury or death if improperly used. Steam rooms contain steam and elevated temperatures. Please read and observe all warnings in this manual before installing or using a steam room.
4. **⚠️ WARNING** To reduce the risk of injury:
  - A. The wet surfaces of steam enclosures may be slippery. Use care when entering or leaving.
  - B. The steam head is hot. Do not touch the steamhead and avoid the steam near the steamhead.
  - C. Prolonged use of the steam system can raise excessively the internal human body temperature and impair the body's ability to regulate its internal temperature (hyperthermia). Limit your use of steam to 10-15 minutes until you are certain of your body's reaction.
  - D. Excessive temperatures have a high potential for causing fetal damage during the early months of pregnancy. Pregnancy or possibly pregnant women should consult a physician regarding correct exposure.
  - E. Obese persons and persons with a history of heart disease, low or high blood pressure, circulatory system problems, or diabetes should consult a physician before using a steambath.
  - F. Persons using medication should consult a physician before using a steambath since some medication may induce drowsiness while other medications may affect heart rate, blood pressure and circulation.

**HYPERTHERMIA** occurs when the internal temperature of the body reaches a level several degrees above the normal body temperature of 98.6° F. The symptoms of hyperthermia include an increase in the internal temperature of the body, dizziness, lethargy, drowsiness, and fainting. The effects of hyperthermia include:

- a) Failure to perceive heat;
- b) Failure to recognize the need to exit the steambath;
- c) Unawareness of impending risk;
- d) Fetal damage in pregnant women;
- e) Physical inability to exit the steambath; and
- f) Unconsciousness.

### **⚠️ WARNING**

The use of alcohol, drugs, or medication can greatly increase the risk of hyperthermia.

## SAVE THESE INSTRUCTIONS

## READ ME FIRST!

**⚠️ WARNING** As you follow these instructions, you will notice warning and caution symbols. This blocked information is important for the safe and efficient installation and operation of this generator. These are types of potential hazards that may occur during installation and operation:

**⚠️ WARNING** Indicates a potentially hazardous situation, which, if not avoided, could result in death or serious injury.

**⚠️ CAUTION** Indicates a potentially hazardous situation, which, if not avoided may result in minor or moderate injury or product damage.

**IMPORTANT NOTE:** This highlights information that is especially relevant to a problem-free installation.

All information in these instructions is based on the latest product information available at the time of publication. Sussman-Automatic Corporation reserves the right to make changes at any time without notice.

## Table of Contents:

Important Safety Instructions.....	2
Before Installing.....	4
Dimensional Information .....	5
Installations.....	6-8
Installing the Remote Temperature Probe ....	9-11
Operating Instructions .....	12-13
Using Aquabress essential oils.....	15
Care and Maintenance .....	16
Warranty .....	17

---

## Control Installation *Refer to Control Manual for specific installation requirements*

### Before Installing

Turn power to the steam generator OFF before connecting the control to the generator. Failure to turn the power off will result in an inoperable control.

**CAUTION** To avoid unintentional steambath operation, do not locate the control where other controls, accessories, shower heads, valves, body sprays or similar within the shower could cause confusion or interfere with the Mr.Steam control's intended use and function.

Install the N2762 controls according to installation instructions. Failure to install according to instructions will result in an inoperative control or hazardous overheating or inadequate heating of the steam room.

If an N2782 control is installed out-side the steam room a Remote Temperature Probe (PN MST5) must be installed inside the steam room per installation instructions supplied with the Remote Temperature Probe. Failure to install according to instructions will result in an inoperative control and overheating of the steam room.

**WARNING** Do not route N2762 control wiring inside conduit together with power lines or close to hot water or steam piping. Doing so may result in an inoperative or hazardous installation.

**WARNING** Do Not alter or modify any Aquasteam product. Doing so may result in an inoperative or hazardous installation and will void the warranty

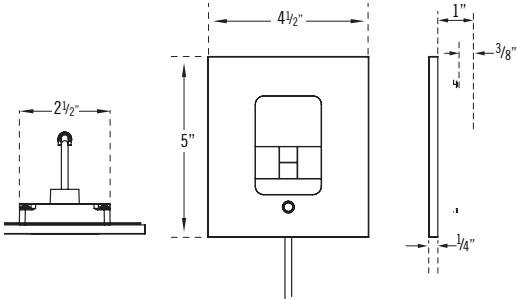
### IMPORTANT NOTES:

1. Do not operate N2762 controls with other than a Aquasteam compatible steam generator. Aquasteam steam generators with serial numbers lower than 900000, or any other brand of steam generator are not to be operated with N2762 controls. Doing so may result in an inoperative or hazardous installation.
2. This document contains important safety, operation and maintenance information. Leave this document with management. Do not discard this document.
3. Discontinue use of the steam generator or control if the steam generator is damaged or otherwise not functioning properly. Operating a damaged steam generator may result in an inoperative or hazardous installation.

**Dimensional Information  
for the Square in-digital  
control**

**BOX CONTENTS:**

- in-digital Control
- Control Cable (30 ft.)
- Steam head
- Tube of Silicone Sealant
- Owner's Manual



Drawings for Illustrative Purposes Only.

—  
—

## Installation Instructions for Square in-digital control

### STEP 1

Determine the desired installation location of the control. The in-digital control is designed to be installed inside or outside the steam room as a matter of personal preference. If the control is installed outside the steam room a Remote Temperature Probe part number MST5 must be installed inside the steam room. If the control is installed inside the steam room the control must be located:

- 4-5 feet above the floor near the bather seating area.
- **The control features an integral temperature sensor.** Locate the control in a location representative of the desired steam bathing temperatures. Do not locate the control above or near the steam head or direct steam emissions. Locating the controls near the steamhead or near direct steam emissions may result in poor steam room temperature control.
- On a vertical wall
- The control cable length is 30 feet. Insure that the control and/or steam generator are located accordingly. Contact an Aquabraxs technical service representative if a longer cable is required (60 ft. cable, 2760).

**IMPORTANT NOTE:** The control cable should be run in a dedicated 1" conduit to facilitate installation and service.

**IMPORTANT NOTE:** See installation instructions for the MST5 Temperature Probe before rough-in or installation of control.

### STEP 2 Diagram 1

Make a 2- $\frac{5}{8}$ " wide by 3- $\frac{7}{8}$ " high cutout in the desired control location. Do not oversize or under size the cutout.

### STEP 3 Diagram 2

Route the control cable (provided with the control) from the wall cutout to the steam generator. Connect one end of the cable to the steam generator connector.

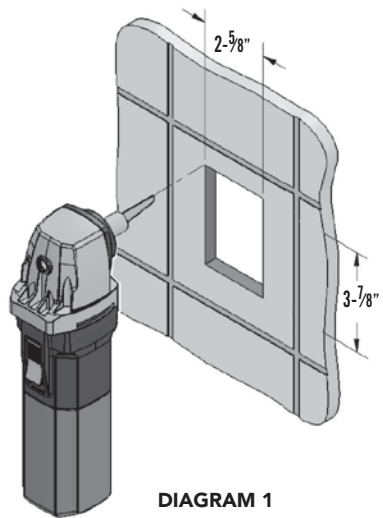


DIAGRAM 1

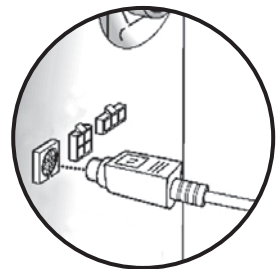


DIAGRAM 2

**NOTE:** The connector is keyed with the flat facing up. The control cable is the same at both ends.

**IMPORTANT NOTE:** Be careful not to strain, staple, pinch or otherwise damage the control cable. Route cable as required to permit replacement. Do not route cable inside conduit together with power lines or close to hot water or steam piping.

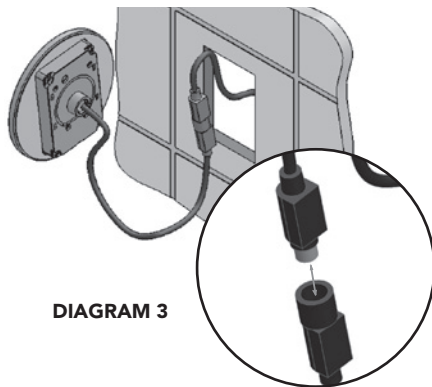
**STEP 4** Diagram 3

Firmly connect the other end of the cable to the control. Turn on power to the steam generator and test the control to verify correct connections. Test per the instructions on pages 10-15. With verification of proper control function, proceed to Step 5.

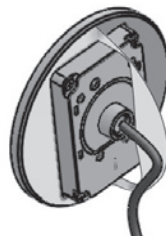
**CAUTION** If the generator is on for more than a few minutes steam will start coming out of the steamhead. Insure that steam room is not occupied.

**STEP 5** Diagram 4

Remove and discard peel-off paper to expose adhesive liner.



**DIAGRAM 3**



**DIAGRAM 4**

**STEP 6** Diagram 5

Run a bead of silicone (provided) as shown to the outer edge of the control faceplate, following the contour of the circle or square shape. Use silicone as required to create a moisture seal.

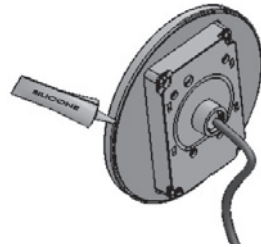
**NOTE:** The silicone supplied by Aquabraxs can be used to meet a variety of sealing and gasketing. It cures to silicone rubber and adheres to glass, wood, metal, porcelain, ceramic tile, painted surfaces, many plastics and rubber. Surfaces must be clean and dry. Apply thin layer of product. Fit together and support if necessary. Allow excess material to cure, then trim with a sharp blade. Sealant “skins” in 5 minutes, dries to touch in 1 hour. Fully cures and bonds in 24 hrs.

**IMPORTANT NOTE:** Do not apply excessive amounts of silicone. Do not apply silicone to any other parts of the control including the adhesive gasket.

**STEP 7** Diagram 6

Insure the mounting surface is clean and dry as required for good adhesion. Hold the control with the LED display in the 12 o'clock position and press the control against the wall until the adhesive sticks and holds firmly. Control may have to be supported or secured until the silicone fully cures and bonds.

**DIAGRAM 5**



**DIAGRAM 6**





## Installing the Remote Temperature Probe (Alternative SETUP)

The Remote Temperature Probe is only required when the N2762 Control is installed outside the steam room.

**⚠ CAUTION** The Remote Temperature Probe (P/N MST5) is for use with N2762 only. Do not use with any other controls. Do not use any other temperature probe with the controls. Noncompatible products may result in an inoperative control and a hazardous condition.

**⚠ CAUTION** Install the N2762 according to the installation instructions. Failure to do so may result in an inoperative control and a hazardous condition.

1. Determine the location of the Remote Temperature Probe:

**The Remote Temperature Probe must be installed:**

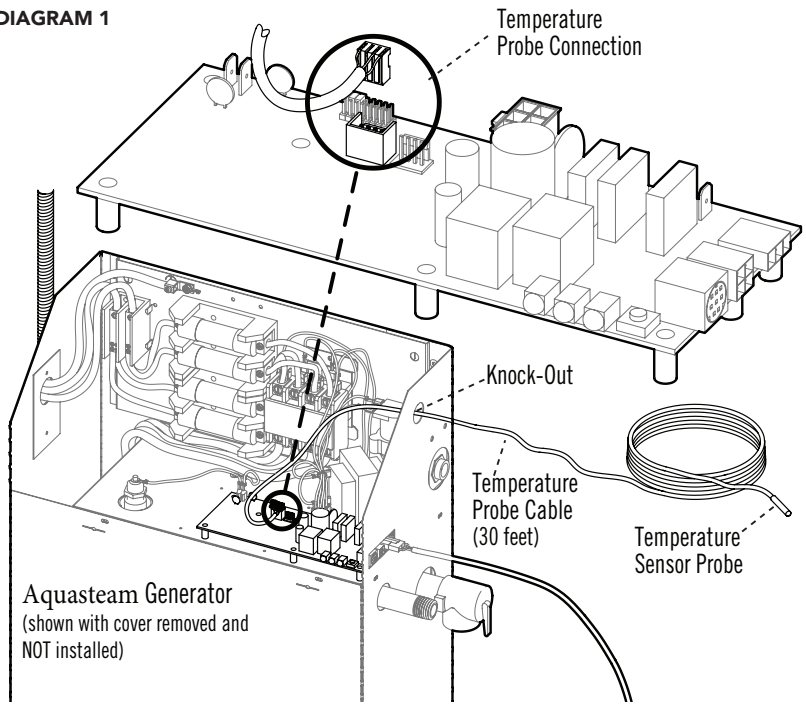
- a. On a vertical surface
- b. 4-5 feet above the floor
- c. in a location representative of the desired steam bathing temperature. Locating the MST5 near the steamhead or near direct steam emissions may result in poor steam room temperature control.

- d. The probe has an integral 30' cable. Insure that the probe and/or steam generator are located accordingly.
2. Drill a 5/16 inch diameter hole in the wall. Do not oversize or under size the hole. Clean area thoroughly.

**NOTE:** The silicone supplied by Aquabrace can be used to meet a variety of sealing and gasketing. It cures to silicone rubber and adheres to glass, wood, metal, porcelain, ceramic tile, painted surfaces, many plastics and rubber. Surfaces must be clean and dry. Apply thin layer of product. Fit together and support if necessary. Allow excess material to cure, then trim with a sharp blade. Sealant "skins" in 5 minutes, dries to touch in 1 hour. Fully cures and bonds in 24 hrs.

3. Remove the knock-out from the steam generator jacket as shown in Diagram 1.
4. Insert the probe cable through the knock-out and connect to the connector on the steam generator printed circuit board marked EXT TEMP as shown in Diagram 1.

**DIAGRAM 1**



Aquasteam Generator  
(shown with cover removed and  
NOT installed)

Temperature  
Probe Connection

Knock-Out

Temperature  
Probe Cable  
(30 feet)

Temperature  
Sensor Probe

5. Route the end of the probe cable with the temperature probe through the wall into the steam room as shown in Diagram 2.

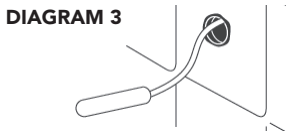
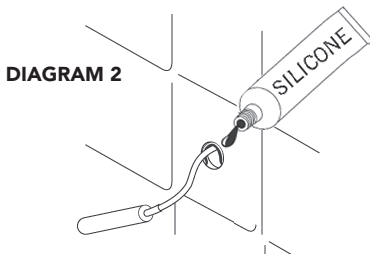
**IMPORTANT NOTE:** Do not strain, staple, pinch or otherwise damage the probe cable.

6. With a minimal length of the cable exposed beyond the hole in the wall as required to create a moisture seal as shown in Diagram 2.
7. Push the temperature cable and probe into hole as required to leave minimum 1/4", maximum 1/2" of the bulb exposed as shown in Diagram 3.

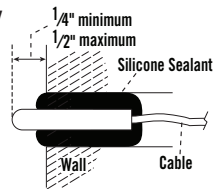
**⚠ WARNING** Insure a minimum of 1/4" of the temperature probe is exposed to the air. Failure to do so may interfere with the ability to sense temperature and may result in excessive steam room temperatures.

**⚠ WARNING** The exposed area of the temperature probe must be free of silicone or any materials or obstructions that prevent direct exposure to the steam room air. Failure to do so may interfere with the ability to sense temperature and may result in excessive steam room temperatures.

**NOTE:** For Illustrative Purposes Only.  
Drawings Not to Scale

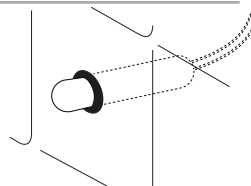


**Sectional View**



**Installed Remote Temperature Probe**

showing a minimum of 1/4" of the probe exposed to steam room air



## Operating Instructions

The N2762 Control features programmable digital temperature control, a fixed (60) minute duration, ON/OFF and PAUSE. The control can be set at a temperature range from 80°F up to 120°F

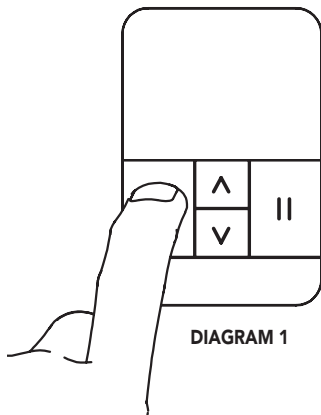
**WARNING** Set the steam bathing temperature according to personal preference, however it is highly recommended to begin steam bathing at a low temperature setting for a very short duration to gauge comfort and safety levels.

### **ON/OFF** Diagram 1

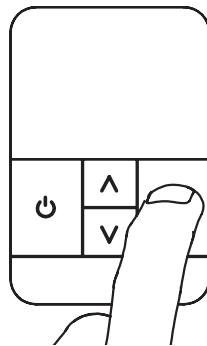
Press the ON/OFF key to start or stop the flow of steam. Steam will begin to flow a few minutes after the control is turned ON. The duration required for the steam room to reach steam bathing temperatures depends on the steam room construction and steam generator specifications. Steam may continue to flow for a short time after the control is turned OFF.

### **PAUSE FEATURE** Diagram 2

If a pause in steam flow is desired press the PAUSE key. The display will flash while the control is in the PAUSE mode. The timer will continue to countdown while in the PAUSE mode. Steam may continue to flow for a short time after pause is pressed.



**DIAGRAM 1**



**DIAGRAM 2**

## TIMER FEATURE

When the control is turned ON a 60 minute time duration is initiated. The control will turn off after 60 minutes unless the control is turned off manually.

## MEMORY FEATURE

If the control is turned off manually before 60 minutes then the default temperature of 110°F will be used the next time the control is turned on. If the control times out at 60 minutes (not manually turned off) then the previous user temperature setting will be used when the steam-bath is used again.

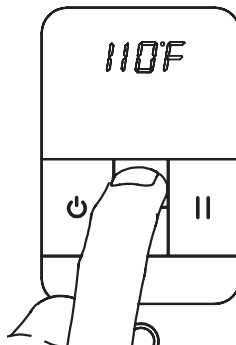


DIAGRAM 3

## SETTING THE TEMPERATURE

Diagram 3

The control is pre-set and will display the temperature setting of 110°F (default setting). Use the UP and DOWN keys to change the temperature setting from 80° F to 120° F in one degree increments.

## CHANGING THE TEMPERATURE

UNITS (F°/C°) Diagram 4

When the generator is Off, Press and hold ON/OFF key for 10 seconds. The temperature units will be displayed as Fahrenheit (TuF) or Celsius (TuC). Use the UP/DOWN keys to choose between (TuF) and (TuC). Press ON/OFF key to accept the new units and exit.

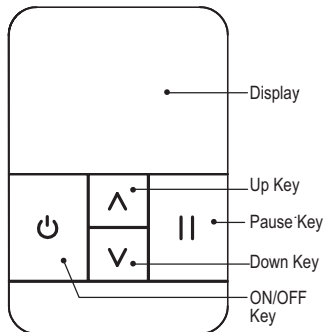


DIAGRAM 4

---

### **Care Tips for all Controls and Steamheads**

1. Use only mild soap and water on a soft cloth to clean the control and steamhead.
2. Do not use abrasive cleansers
3. If the decorative cover is damaged on the N2762. Call Aquabrax technical service for replacement parts.

**NOTE:** Replacement of the decorative covers requires removal and reinstallation of the control from the mounting surfaces.

---

## USING Aquabrace- ESSENTIAL OILS

Enjoy AromaSteam essential oils by placing a drop or two into an unheated AromaSteam steamhead as shown in the illustration. Only use Aquabrace AromaSteam essential oils in the Aquabrace AromaSteam steamhead.

**WARNING** Essential oils and/or aroma therapy can cause inflammation, burns, headache, nausea and allergic reactions. Consult a physician before using aroma therapy.

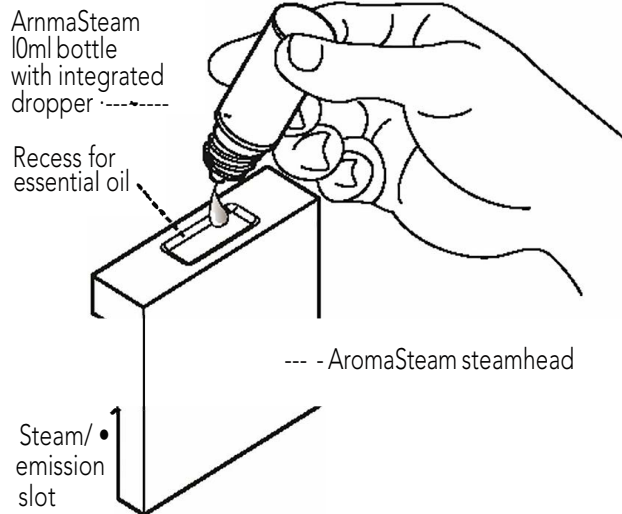
**WARNING** Use essential oils with caution. Essential oils are for external use only. Keep out of reach of children. Essential oils are highly concentrated and are potent substances and should not be applied directly to the skin as they can be irritants. Use essential oils with caution.

2. Place the drops into the Mr.Steam AromaSteam steamhead recess prior to turning on the steambath. DO NOT place drops in a hot steam head as serious injury can result if you do not follow this warning.
3. Start with one drop to gauge strength and suitability. Limit to a maximum of a few drops for a steambathing session.
4. The bather should exit the steambath IMMEDIATELY if dizziness occurs. If skin irritation occurs stop using the oils immediately. Remove any excess oil by washing in mild soap and water. If ingested, rinse mouth with water. Administer water or milk to dilute. Contact a physician immediately.

**WARNING** Aromatic oils should be added to steamhead before turning on the steambath unit. DO NOT add oil during steambathing or when the steam head is heated.

Tightly close bottles when storing oils.  
Keep bottles away from sources of ignition.

*All drawings are for illustrative purposes only*



## Care Entretien

To clean your Aquabrax faucet or accessory, wash with a wet nonabrasive soapy cloth. Then wipe dry with a soft towel or cloth. We recommend this be done on a regular basis.

DO NOT USE ANY ABRASIVE, CHEMICAL OR CORROSIVE, POWDER OR ANY OTHER STRONG CLEANERS INCLUDING DETERGENTS, WINDOW CLEANERS AND DISINFECTANTS ON YOUR Aquabrax PRODUCT as they will destroy the finish and therefore VOID THE WARRANTY.

Toothpaste remnants should also be rinsed off when necessary. Ask your plumbing retailer about our PROTECTANT-CLEANER now available from Aquabrax. This product is specially manufactured to clean and polish leaving a protective coating to maintain your product's shine and finish.

*Pour nettoyer et conserver l'apparence de vos robinets ou accessoires Aquabrax, lavez-les avec un linge mouillé à l'eau tiède et enduit d'un savon doux non-abrasif. Puis essuyer avec un linge doux et sec. Nous vous recommandons cet entretien sur une base régulière.*

*NE JAMAIS UTILISER DE PRODUITS ABRASIFS, CHIMIQUES, CORROSIFS, INCLUANT DE TRÈS FORTS DÉTERGENTS, EN LIQUIDE OU EN POUDRE, NETTOYANTS POUR VITRES ET DÉSINFECTANTS sur votre produit Aquabrax. Cela pourrait en détériorer le fini et ANNULER LA GARANTIE.*

*Les restants de pâte à dentifrice doivent aussi être rincés au besoin. Demander à votre détaillant le PROTECTEUR NETTOYANT Aquabrax spécialement conçu pour nettoyer, faire briller et protéger en laissant un mince film protecteur sur vos robinets et vos articles décoratifs.*



## Limited lifetime warranty

All Aquabrass products carry a full warranty against defects in materials and workmanship. The warranty will be applied only if the product is purchased from an authorized Aquabrass dealer. The Aquabrass warranty is limited strictly to the original consumer purchaser of the product. Proof of purchase must be made available to aquabrass for all limited warranty claims. Products that are deemed defective must be returned to our factory for inspection prior to replacement. The limited warranty is not transferable and is limited to products sold and installed in Canada and the United States.

### Residential Applications

- mechanical working parts including ceramic disc cartridges for both side valves and pressure balance, thermo cartridges, stops, diverters etc. all carry our full limited lifetime warranty to the original purchaser.
- Aquabrass polished chrome and brushed nickel finishes are warranted for the life of the product to the original purchaser. All other finishes will be warranted for five years (Satin Nickel Natural [#210] is designed to develop a patina over time). Raw Brass (#400) is a living finish for which there is no warranty. Normal wear and tear is not covered by this warranty.
- all electronic components and faucets are warranted for two years.
- all glass and ceramic basins are warranted for one year.
- stone resin bathtubs and sinks are warranted for five years.
- vanity collections are warranted for one year.
- all other Aquabrass products are warranted for five years.

### Commercial Industrial Applications

All the above product applications will be warranted for two years with the exception of the glass and ceramic basins which will carry a one year warranty.

### The Aquabrass warranty does not cover the following:

- damages resulting in whole or part from installation error, product abuse, misuse, neglect, improper maintenance, abrasives, corrosion and/or accidents whether caused or performed by a professional or anyone else.
- any and all Aquabrass products that are subjected to any type of harsh abrasive, such as detergents or window cleaners.
- normal wear of the finish.
- the damage is caused by hard water, calcareous deposits or sediments.
- the damage or loss is sustained in a natural calamity such as fire, earthquake, flood, thunder, electrical storm, etc.

Aquabrass is not responsible for any labor or shipping charges, or damages whatsoever incurred in whole or in part from installation, removal, re-installation, repair or replacement of any Aquabrass product or part, as well as any incidental or consequential damages, expenses, losses, direct or indirect, arising from any cause whatsoever.

To obtain warranty service, please contact the retailer where the product was purchased.

The original sales receipt must be available to exercise our warranty.

### This warranty is extended to the first purchaser at retail. This warranty is NOT transferable.

Aquabrass reserves the right to make product specification changes without notice or obligation and to change or discontinue certain models.

## Garantie limitée à vie

Les produits Aquabrass ont une garantie complète contre les défauts de matériel et de main d'œuvre.

La garantie est applicable seulement si le produit est acheté chez un détaillant Aquabrass dûment autorisé. La garantie Aquabrass est strictement limitée au premier acheteur et une preuve d'achat doit être présentée pour toutes réclamations. Les produits considérés comme défectueux doivent être retournés à nos entrepôts pour inspection avant tout remplacement.

La garantie Aquabrass n'est pas transférable et est limitée aux produits vendus et installés au Canada et aux États-Unis.

### Applications résidentielles

- toutes les parties mécaniques incluant les cartouches à disques en céramique pour les valves et les pressions équilibrées, les cartouches thermostatiques, les déviateurs ont une garantie complète au premier acheteur.
- les finis chrome poli et nickel brossé Aquabrass ont une garantie à vie limitée au premier acheteur.
- tous les autres finis ont une garantie de cinq (5) ans (le nickel satiné naturel [#210] se patinera avec le temps), excepté le laiton brut (#400) qui est un fini vivant pour lequel il n'y a pas de garantie.
- l'usure normale d'un fini n'est pas couverte par la garantie.
- toutes les composantes et les robinets électroniques ont une garantie de deux (2) ans.
- toutes les vasques en verre, les lavabos en porcelaine ont une garantie de un (1) an.
- les bains et lavabos en composite de pierre / résine ont une garantie de cinq (5) ans.
- les collections de mobilier de salle de bain ont une garantie de un (1) an.
- tous les autres produits ont une garantie de cinq (5) ans.

### Applications commerciales et industrielles

Tous les produits ci-dessus sont garantis pour deux (2) ans à l'exception des vasques en verre ou en porcelaine qui sont garanties un (1) an.

### La garantie Aquabrass ne couvre pas :

- dommages causés en entier ou en partie par une erreur d'installation, d'abus de produit, de négligence, d'utilisation non conforme, d'usage de produits abrasifs, de corrosion et/ou d'accidents causés par un professionnel ou par toute autre personne.
- tout produit Aquabrass nettoyé avec des produits abrasifs, comme les détergents ou les nettoyants à vitres.
- usure normale du fini.
- dommages causés par l'eau dure, les dépôts de calcaire ou les sédiments.
- les dommages ou les pertes résultant d'une catastrophe naturelle telle qu'un feu, un tremblement de terre, le tonnerre, un orage électrique, etc.

Aquabrass n'accepte aucune responsabilité pour tout frais de main d'œuvre ou d'expédition, ou pour tout autre dommage causé en totalité ou en partie lors de l'installation du produit, de son retrait, de sa réinstallation, de sa réparation, ou le remplacement de tout produit ou pièce Aquabrass, ainsi que tout dommage occasionnel ou conséquent, dépense, perte directe ou indirecte, provenant de quelque cause que ce soit.

Pour obtenir la garantie de service, veuillez contacter le détaillant d'où le produit a été acheté. La preuve d'achat originale sera exigible pour l'application de la garantie.

### Cette garantie s'applique au premier acheteur au détail et n'est PAS transférable.

Aquabrass se réserve le droit de modifier des caractéristiques de ses produits sans avis ni obligation ainsi que de remplacer ou de retirer certains modèles.

**AQUABRASS**